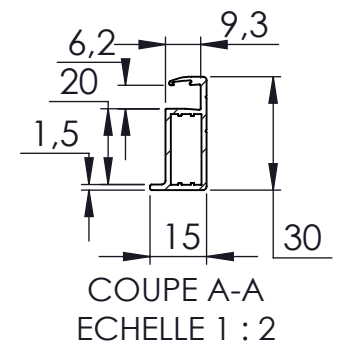
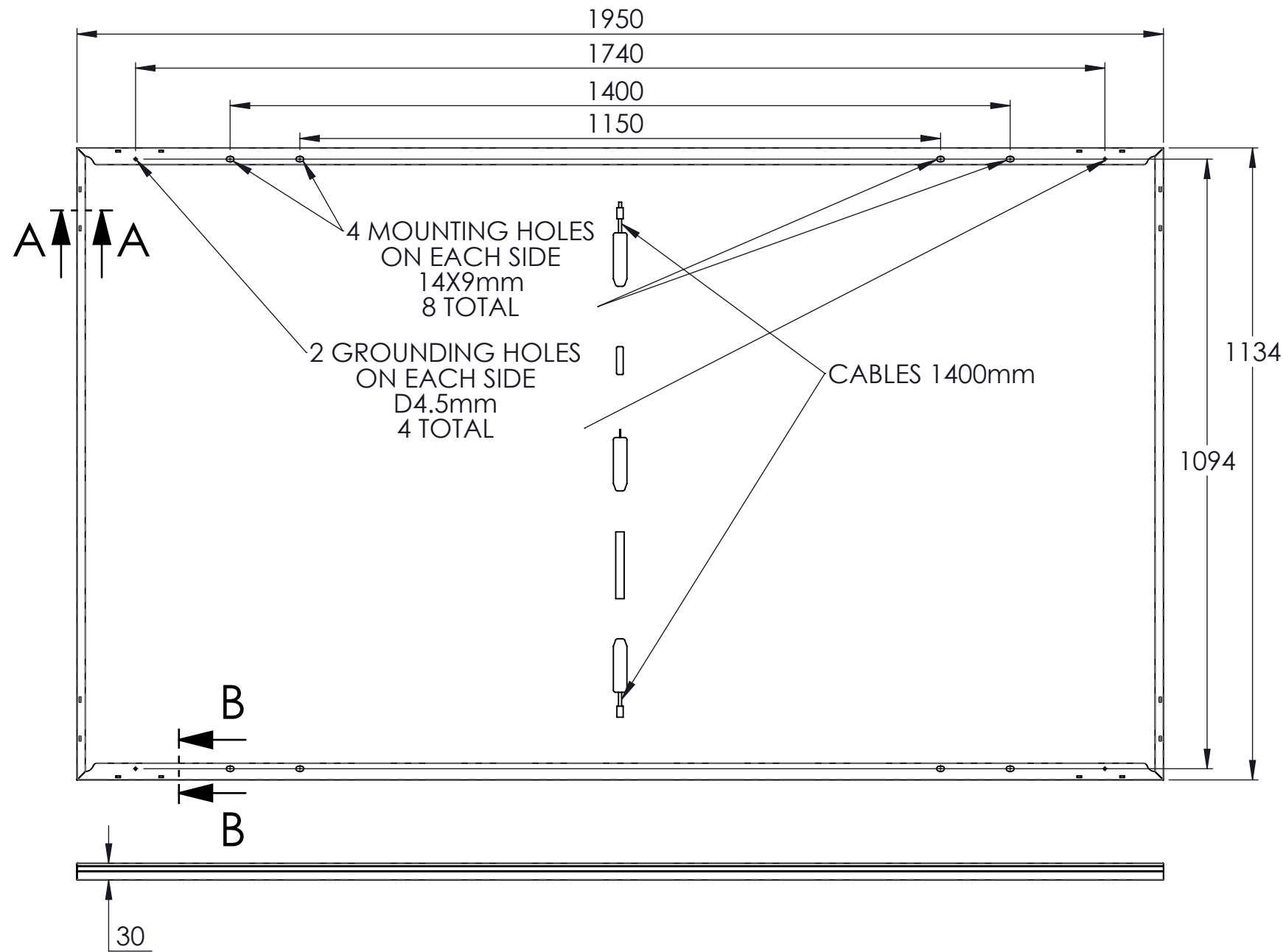
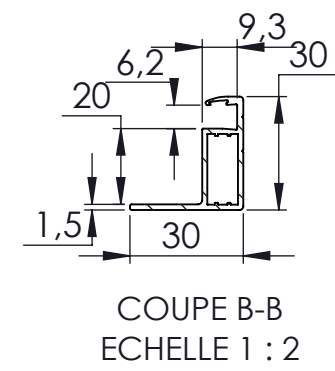


Quote N°4242

| Products |
|------------------|
| PV 500w Half-Cut |
| PV 425w Half-Cut |

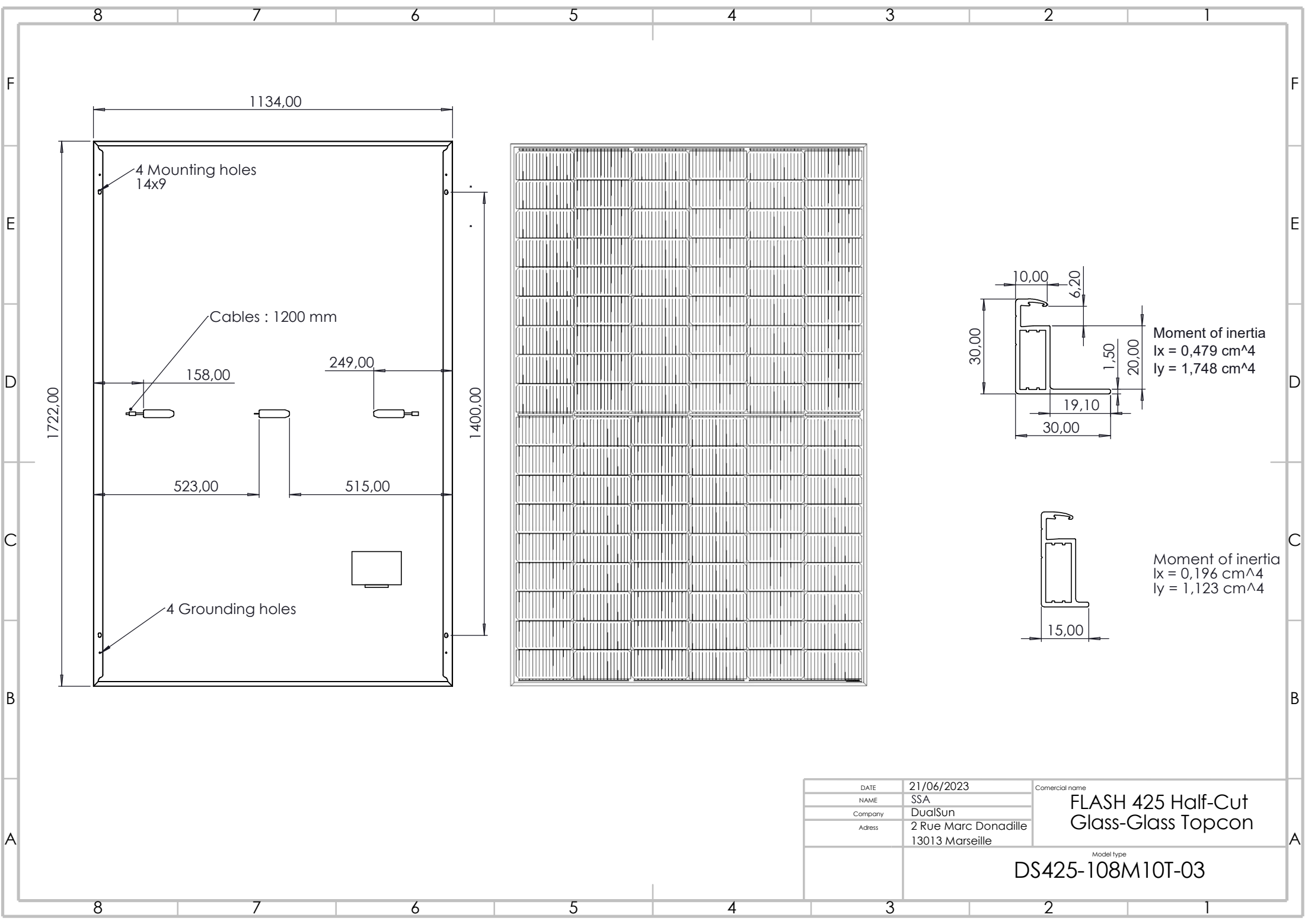


Moment of inertia
 $I_x = 0,196 \text{ cm}^4$
 $I_y = 1,123 \text{ cm}^4$



Moment of inertia
 $I_x = 0,479 \text{ cm}^4$
 $I_y = 1,748 \text{ cm}^4$

| | | |
|---------|---|--|
| DATE | 19/02/2024 | Comercial name FLASH 500 Half-Cut Glass-Glass-TOPCon |
| NAME | RMA | |
| Company | DualSun | |
| Adress | 2 Rue Marc Donadille 13013 Marseille | Model type DS500-120M10TB-03 |



| | | |
|------------|---|---|
| DATE | 21/06/2023 | Commercial name FLASH 425 Half-Cut Glass-Glass Topcon |
| NAME | SSA | |
| Company | DualSun | |
| Address | 2 Rue Marc Donadille 13013 Marseille | |
| Model type | | DS425-108M10T-03 |