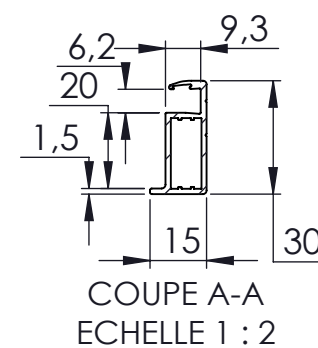
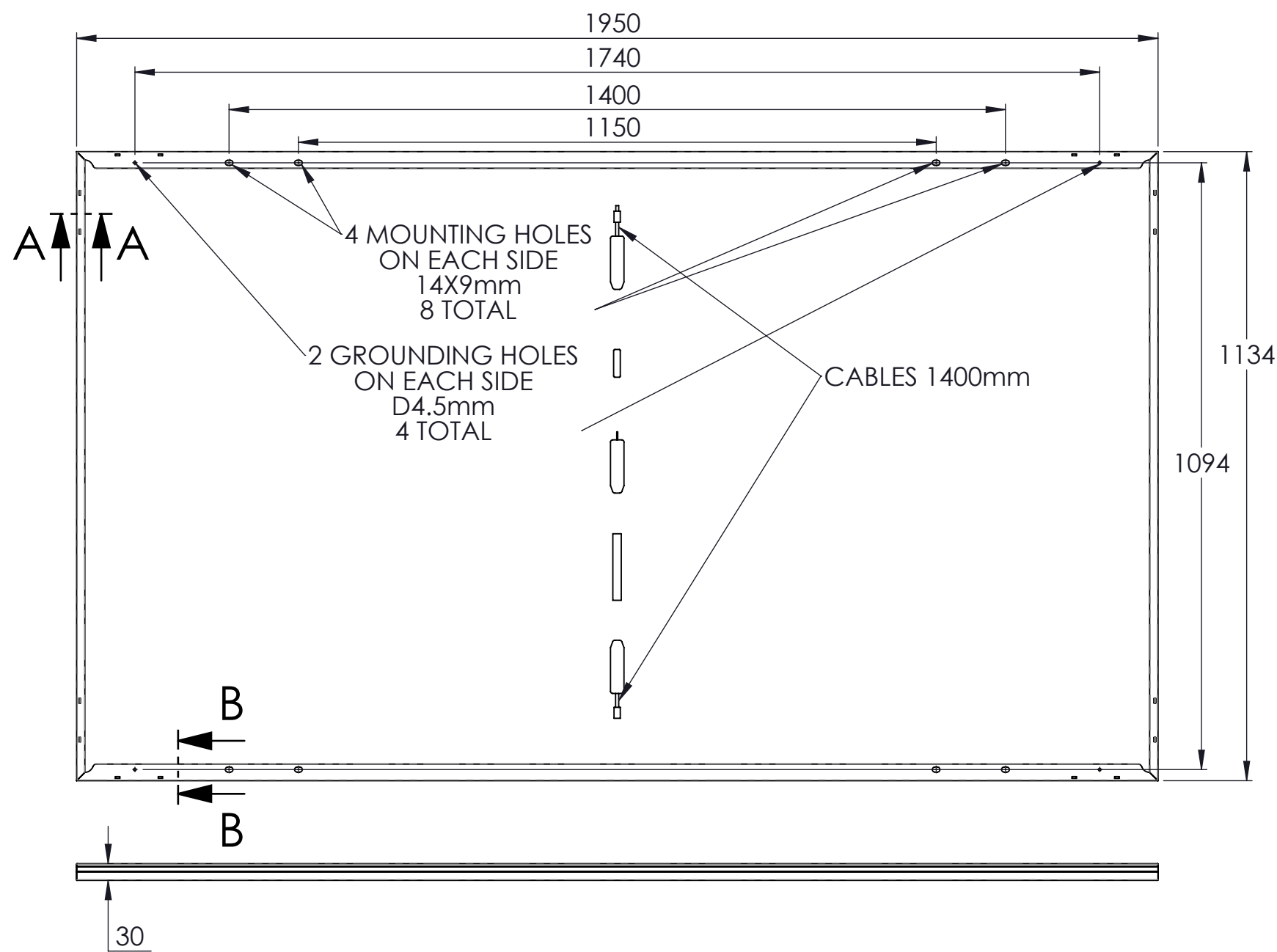
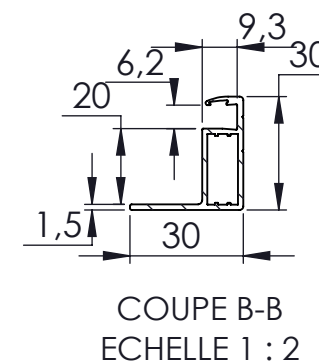


Quote N°4242

Products
PV 500w Half-Cut
PV 425w Half-Cut

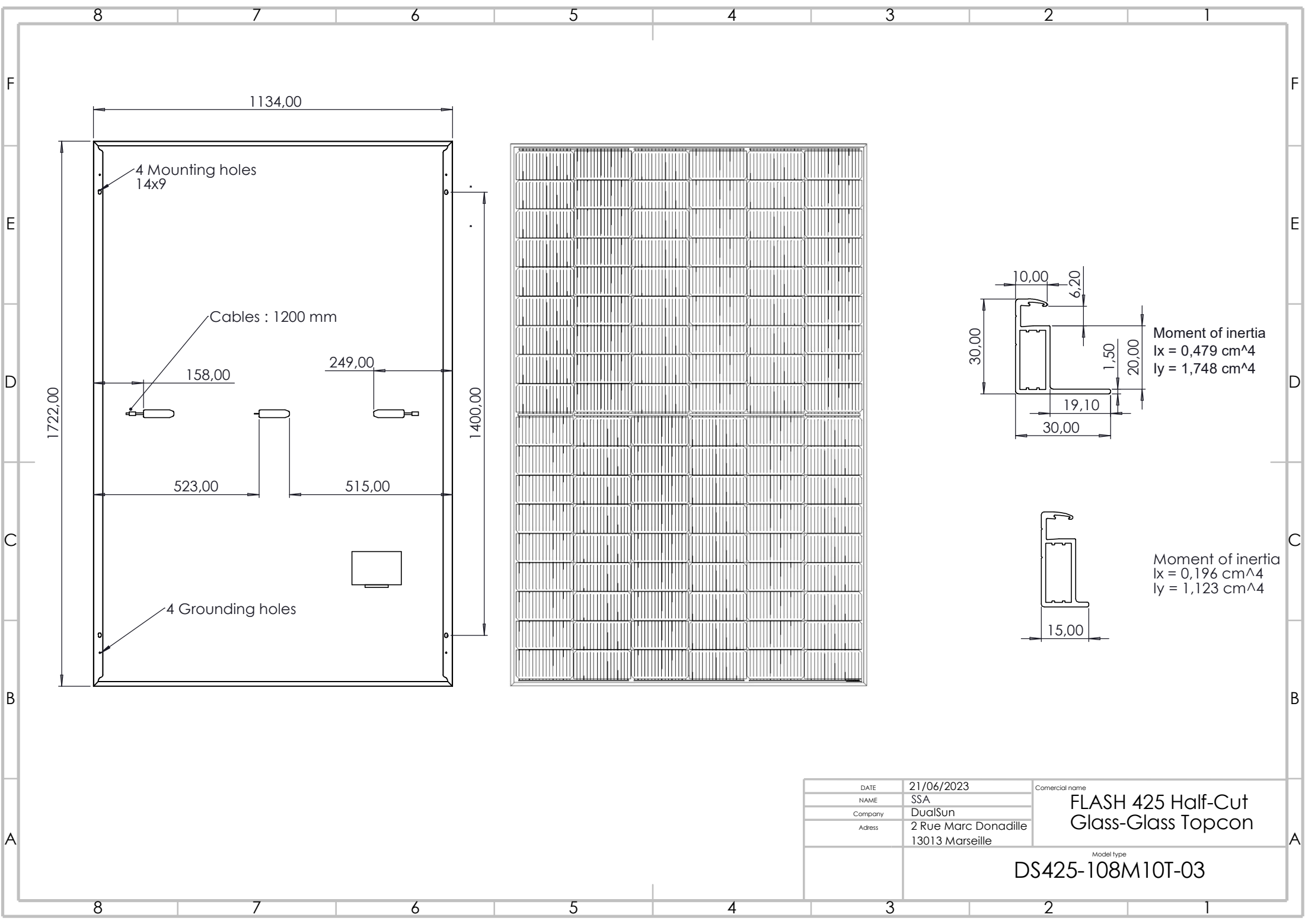


Moment of inertia
 $I_x = 0,196 \text{ cm}^4$
 $I_y = 1,123 \text{ cm}^4$



Moment of inertia
 $I_x = 0,479 \text{ cm}^4$
 $I_y = 1,748 \text{ cm}^4$

DATE	19/02/2024	Comercial name FLASH 500 Half-Cut Glass-Glass-TOPCon
NAME	RMA	
Company	DualSun	
Adress	2 Rue Marc Donadille 13013 Marseille	Model type DS500-120M10TB-03



DATE	21/06/2023	Commercial name FLASH 425 Half-Cut Glass-Glass Topcon
NAME	SSA	
Company	DualSun	
Address	2 Rue Marc Donadille 13013 Marseille	
Model type		DS425-108M10T-03